

78.88

62.50

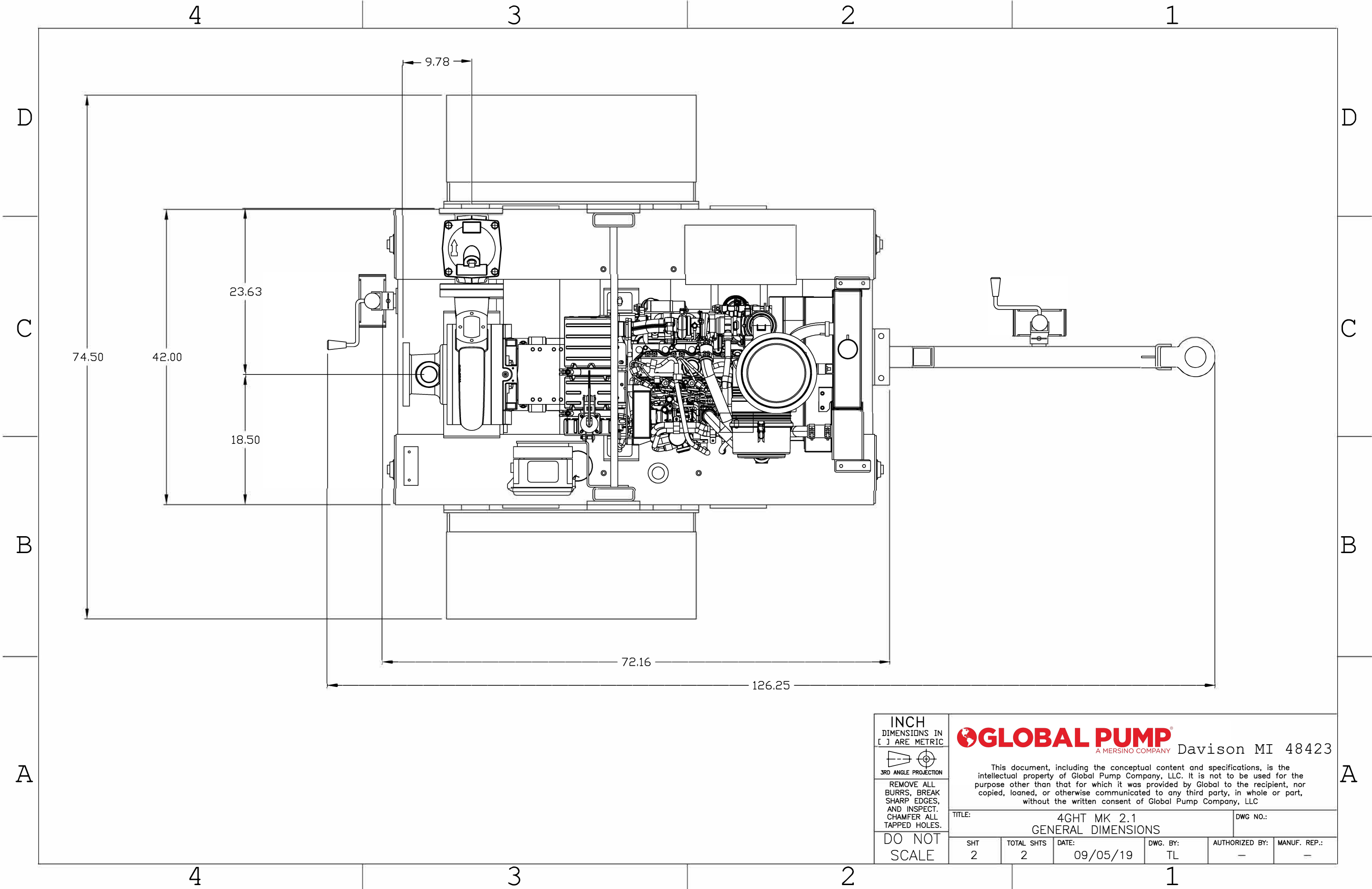
21.86

38.25

72.16

126.25

<p><b>INCH</b> DIMENSIONS IN [ ] ARE METRIC</p>		<p><b>GLOBAL PUMP</b> A MERSINO COMPANY Davison MI 48423</p>			
<p>3RD ANGLE PROJECTION</p>		<p>This document, including the conceptual content and specifications, is the intellectual property of Global Pump Company, LLC. It is not to be used for the purpose other than that for which it was provided by Global to the recipient, nor copied, loaned, or otherwise communicated to any third party, in whole or part, without the written consent of Global Pump Company, LLC</p>			
<p>REMOVE ALL BURRS, BREAK SHARP EDGES, AND INSPECT. CHAMFER ALL TAPPED HOLES.</p>		<p>TITLE: 4GHT MK 2.1 GENERAL DIMENSIONS</p>		<p>DWG NO.:</p>	
<p>DO NOT SCALE</p>	<p>SHT 1</p>	<p>TOTAL SHTS 2</p>	<p>DATE: 09/05/19</p>	<p>DWG. BY: TL</p>	<p>AUTHORIZED BY: -</p>
				<p>MANUF. REP.: -</p>	



INCH  
DIMENSIONS IN  
[ ] ARE METRIC

3RD ANGLE PROJECTION

REMOVE ALL  
BURRS, BREAK  
SHARP EDGES,  
AND INSPECT.  
CHAMFER ALL  
TAPPED HOLES.

DO NOT  
SCALE

**GLOBAL PUMP**  
A MERSINO COMPANY Davison MI 48423

This document, including the conceptual content and specifications, is the intellectual property of Global Pump Company, LLC. It is not to be used for the purpose other than that for which it was provided by Global to the recipient, nor copied, loaned, or otherwise communicated to any third party, in whole or part, without the written consent of Global Pump Company, LLC

TITLE:		4GHT MK 2.1 GENERAL DIMENSIONS			DWG NO.:	
SHT	TOTAL SHTS	DATE:	DWG. BY:	AUTHORIZED BY:	MANUF. REP.:	
2	2	09/05/19	TL	-	-	